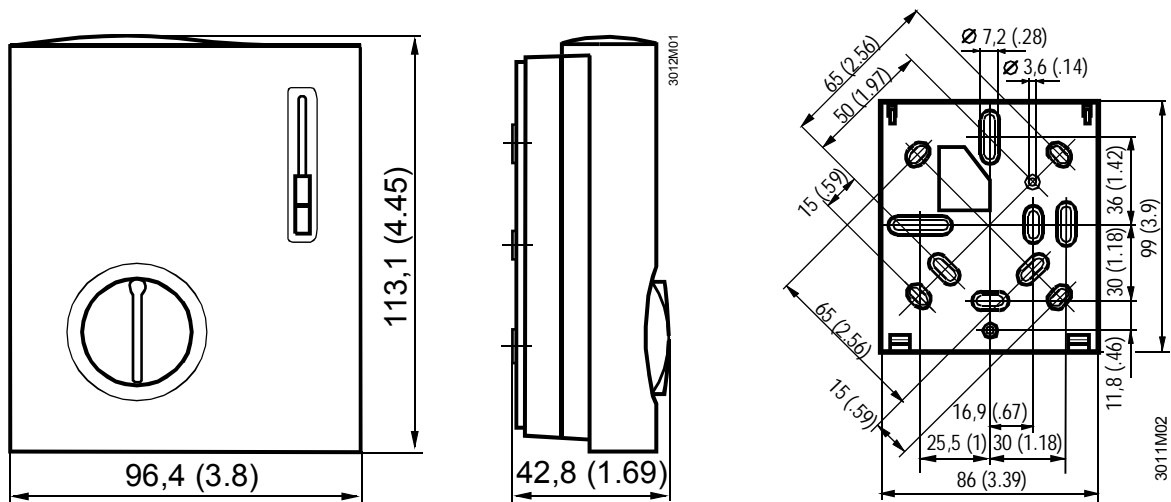
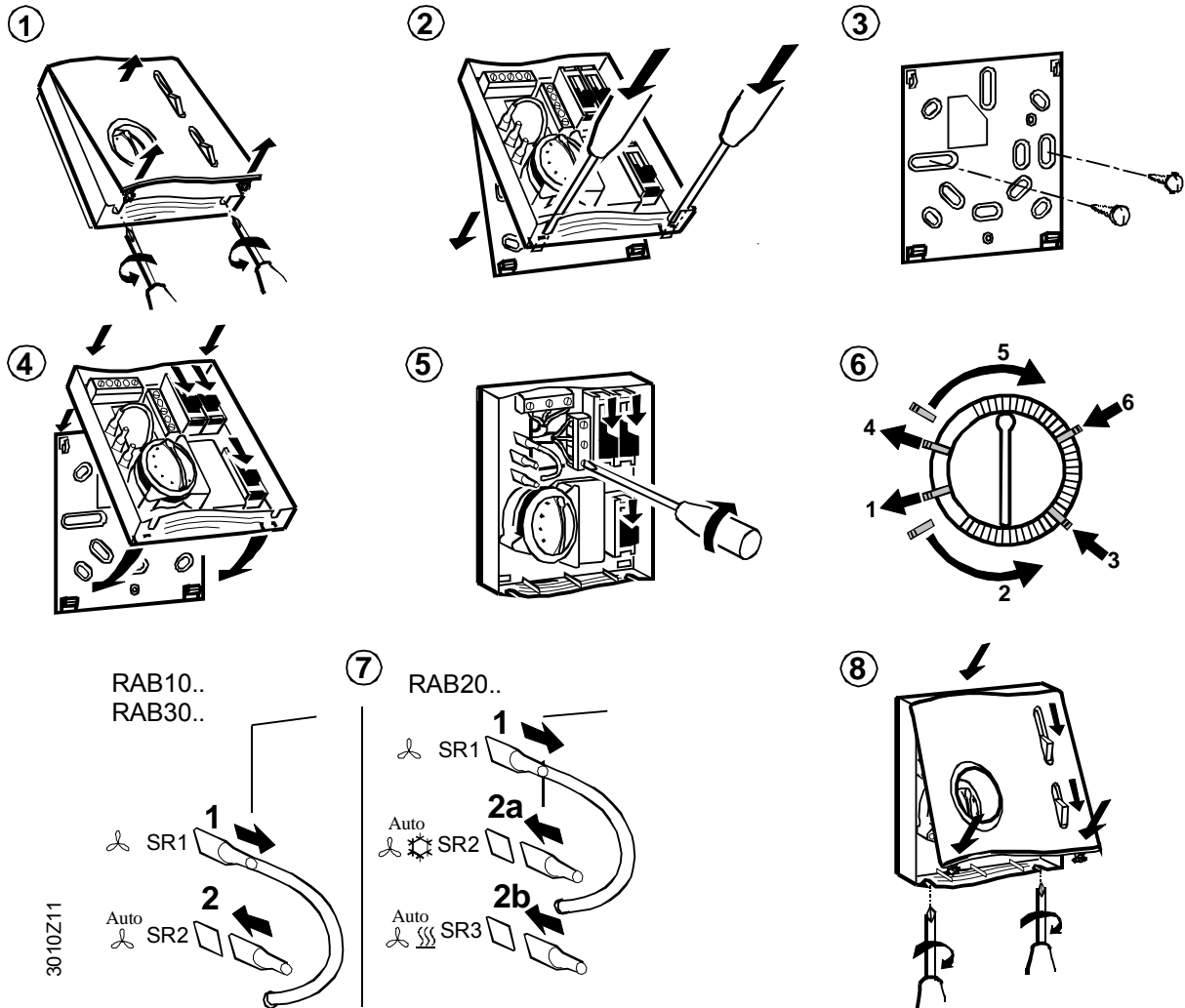
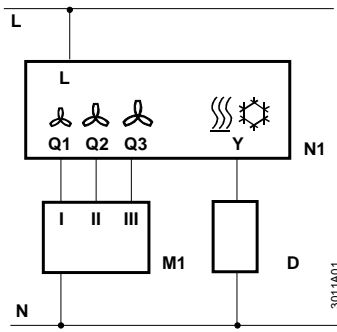


de Installationsanleitung	es Instrucciones de montaje	el Οδηγίες Εγκατάστασης
en Installation Instructions	pt Instruções de montagem	sk Návod na montáž
fr Instructions d'installation	sv Installationsanvisning	cs Montážní list
it Istruzioni di montaggio	fi Asennusohje	pl Instrukcja montażu
nl Installatie-aanwijzing	da Installationsvejledning	hu Telepítési leírás
zh 安装说明书		

RAB...



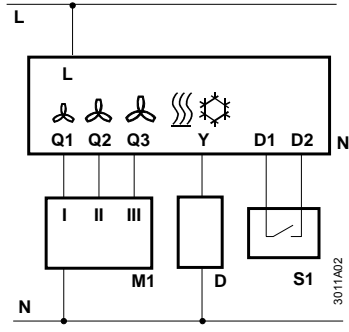
RAB10, RAB10.1



- L Switching voltage AC 250 V
- M1 3-speed fan
- N Neutral
- N1 Room thermostat
- Q1 Control output "Fan speed I", AC 250 V
- Q2 Control output "Fan speed II", AC 250 V
- Q3 Control output "Fan speed III", AC 250 V
- Y Control output "Valve actuator", AC 250 V
- D Zone valve or thermal valve

3011A01

RAB10.2

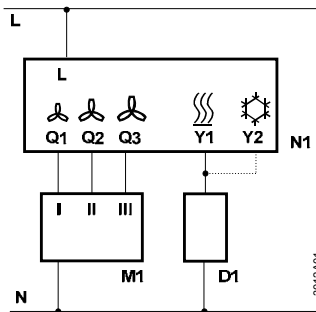


- L Switching voltage AC 250 V
- M1 3-speed fan
- N Neutral
- N1 Room thermostat
- Q1 Control output "Fan speed I", AC 250 V
- Q2 Control output "Fan speed II", AC 250 V
- Q3 Control output "Fan speed III", AC 250 V
- Y Control output "Valve actuator", AC 250 V
- D Zone valve or thermal valve
- S1 Aquastat

3011A02

RAB20, RAB20.1

Heating or Cooling

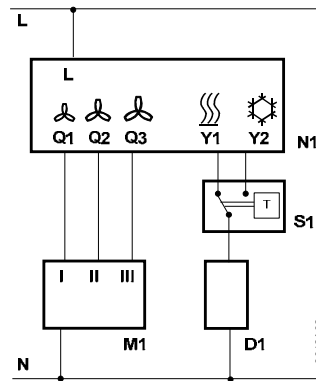


- D1 Zone valve or thermal valve for heating or cooling
- L Switching voltage AC 250 V
- M1 3-speed fan
- N Neutral
- N1 Room thermostat

3012A01

RAB20, RAB20.1

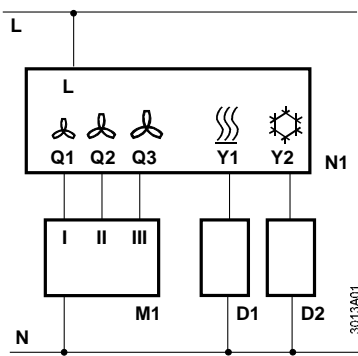
Changeover for heating or cooling with external aquastat



- Q1 Control output "Fan speed I", AC 250 V
- Q2 Control output "Fan speed II", AC 250 V
- Q3 Control output "Fan speed III", AC 250 V
- Y1 Control output "Valve actuator heating", AC 250 V
- Y2 Control output "Valve actuator cooling", AC 250 V
- S1 Aquastat e.g. Z182 / RYT182

3012A02

RAB30, RAB30.1



- D1 Zone valve or thermal valve for heating
- D2 Zone valve or thermal valve for cooling
- L Switching voltage AC 250 V
- M1 3-speed fan
- N Neutral
- N1 Room thermostat
- Q1 Control output "Fan speed I", AC 250 V
- Q2 Control output "Fan speed II", AC 250 V
- Q3 Control output "Fan speed III", AC 250 V
- Y1 Control output "Valve actuator heating", AC 250 V
- Y2 Control output "Valve actuator cooling", AC 250 V

3013A01